

DH-PFB601W

Housing Bracket



Features

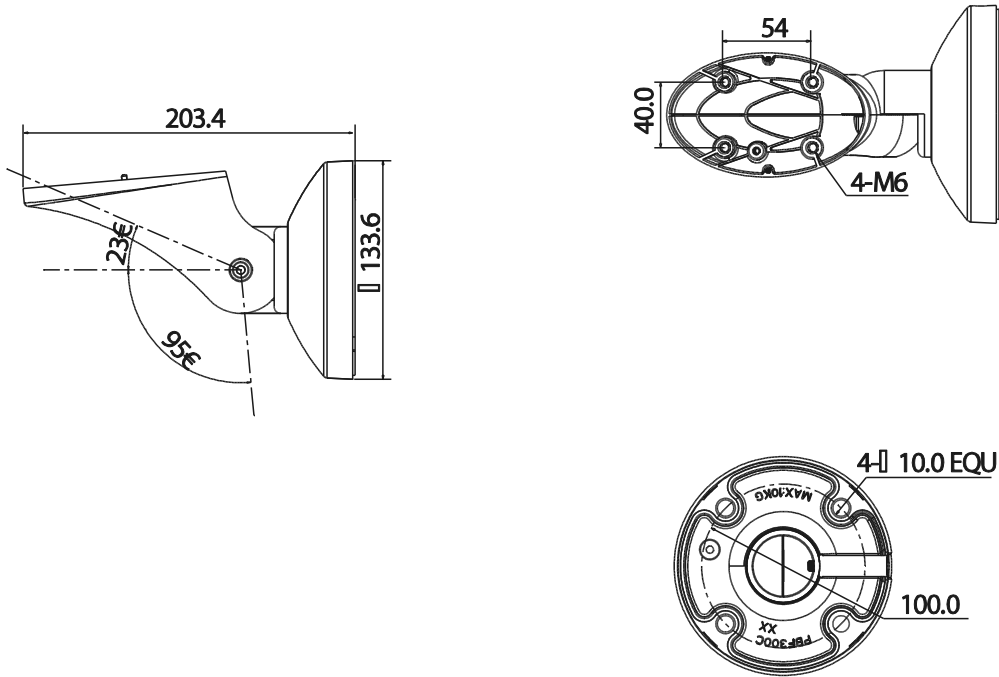
- Material: Aluminum & PC
- Housing Bracket
- Neat & Integrated design

Specifications

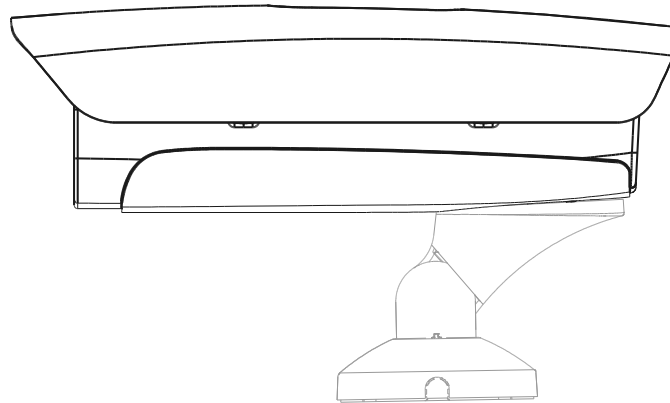
Model	DH-PFB601W
General	
Material	Aluminum & PC
Dimension (W x H x D)	250mm x 133.6mm x203.4mm
Pipe Thread	N/A
Operating Temperature	-40°C ~60°C
Humidity	0~90% RH
Load Bearing	3.0Kg
Weight	0.7Kg
Applicable Model	PFH610N, PFH610N-IR, PFH610N-W

DH-PFB601W

Dimensions (mm)



Application



Dahua Technology USA Inc.

23 Hubble, Irvine Spectrum, CA92618, USA

Tel: +001-949 679 7777

Fax: +001-949 679 5760

Email: support.usa@dahuatech.com

www.dahuatech.us

*Design and specifications are subject to change without notice.

© 2014 Dahua Technology